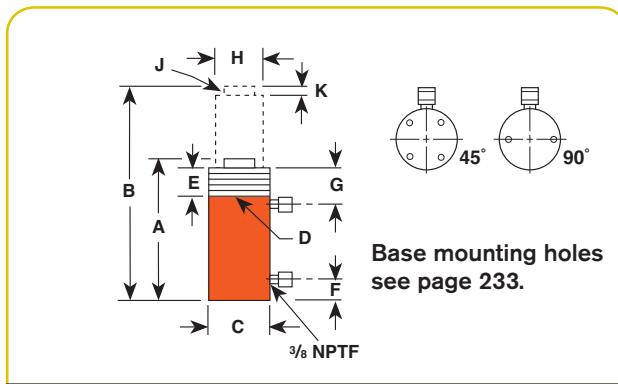
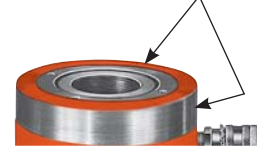


Features of RD Series Cylinders



Threads withstand full load.



Cyl. Cap. (tons)	Stroke (in.)	Order No.	Oil Capacity (cu.in.)	Capacity		Re-tracted Height (in.)	Ex-tended Height (in.)	Out-side Dia. (in.)	Collar Thread Size (in.)	Thread Length (in.)	Base to Port (in.)	Cylinder Top to Port (in.)	Rod Dia. (in.)	Rod Int. Thread & Depth (in.)	Piston Rod Pro-tusion (in.)	Load Cap		Cyl. Eff.		Int. Press.		Tons at 10,000 psi		Prod. Wt. (lbs)
				Push	Pull											Push	Pull	Push	Pull	Push	Pull	Push	Pull	
10	4	6 1/4	RD106	139	5.5	11 11/16	17 15/16	3	2 3/4-12	1 5/8	1	2 1/2	1 5/16	1-8x1	1/4	1 3/8	1 11/16	223	0.88	8,943	9,055	11.2	4.4	22
10	4	10	RD1010	223	8.8	15 11/16	25 11/16	3	2 3/4-12	1 5/8	1	2 1/2	1 5/16	1-8x1	1/4	1 3/8	1 11/16	223	0.88	8,943	9,055	11.2	4.4	28
25	8	6 1/4	RD256	322	10.1	12 25/8	18 25/8	4	4-12	1 5/8	1	2 1/2	2 1/8	1 1/2-16x1	3/8	2 1/8	2 9/16	5.15	1.61	9,695	9,934	25.8	8.0	39.8
25	8	14 1/4	RD2514	735	22.9	20 25/8	34 25/8	4	4-12	1 5/8	1	2 1/2	2 1/8	1 1/2-16x1	3/8	2 1/8	2 9/16	5.15	1.61	9,695	9,934	25.8	8.0	65
55	28	6 1/4	RD556	690	35.2	12 231/32	19 7/32	5	5-12	1 5/8	1 5/16	2 1/2	2 5/8	1 11/16-8X1 3/16	5/8	2 5/8	3 3/4	11.04	5.63	9,959	9,941	55.2	28.2	61.4
55	28	13 1/8	RD5513	1449	73.9	19 27/32	32 31/32	5	5-12	1 5/8	1 5/16	2 1/2	2 5/8	1 11/16-8X1 3/16	5/8	2 5/8	3 3/4	11.04	5.63	9,959	9,941	55.2	28.2	90
55	28	18 1/8	RD5518	2000	102.0	25 7/8	44	5	5-12	1 5/8	1 5/16	2 1/2	2 5/8	1 11/16-8X1 3/16	5/8	2 5/8	3 3/4	11.04	5.63	9,959	9,941	55.2	28.2	142
80	44	13 1/8	RD8013	2086	115.9	20 3/8	33 1/2	5 3/4	5 3/4-12	1 5/8	1 1/2	2 1/2	3	2-4 1/2x1 1/2	9/16	2 7/8	4 1/2	15.90	8.84	10,060	9,954	79.5	44.2	118
100	44	6 5/8	RD1006	1367	58.5	13 25/32	20 13/32	6 7/8	6 7/8-12	1 5/8	1 1/2	2 1/2	3 7/8	2 3/4-12x1 5/32	5/8	3 7/8	5 1/8	20.63	8.84	9,695	9,959	103.1	44.2	126
100	44	13 1/8	RD10013	2707	116.0	20 9/32	33 13/32	6 7/8	6 7/8-12	1 5/8	1 1/2	2 1/2	3 7/8	2 3/4-12x1 5/32	5/8	3 7/8	5 1/8	20.63	8.84	9,695	9,959	103.1	44.2	181
100	44	20 1/8	RD10020	4152	178.0	30 1/2	50 5/8	6 7/8	6 7/8-12	1 5/8	2 25/32	2 1/2	3 7/8	2 3/4-12x1 5/32	5/8	3 7/8	5 1/8	20.63	8.84	9,695	9,959	103.1	44.2	260
150	73	6 5/8	RD1506	2033	97.9	14 7/8	21 1/2	8 1/4	8 1/4-12	1 5/8	2	2 1/2	4 1/2	3 1/4-8x1 1/2	13/16	4 1/2	6 1/4	30.68	14.78	9,779	9,880	153.4	73.8	188
150	73	13 1/8	RD15013	4027	193.9	21 15/16	34 1/2	8 1/4	8 1/4-12	1 5/8	2	2 1/2	4 1/2	3 1/4-8x1 1/2	13/16	4 1/2	6 1/4	30.68	14.78	9,779	9,880	153.4	73.8	272
150	73	18 1/8	RD15018	5568	267.8	26 17/32	44 21/32	8 1/4	8 1/4-12	1 5/8	2	2 1/2	4 1/2	3 1/4-8x1 1/2	3/4	4 1/2	6 1/4	30.68	14.78	9,779	9,880	153.4	73.8	376
200	113	6 5/8	RD2006	2735	149.8	16	22 25/8	9 1/2	9 1/2-12	1 5/8	2 1/2	2 11/16	4 7/8	3 1/4-8x2 1/4	1 1/16	4 1/2	7 1/4	41.28	22.62	9,689	9,992	206.4	113.1	262
200	113	13 1/8	RD20013	5418	296.9	22 1/2	35 5/8	9 1/2	9 1/2-12	1 5/8	2 1/2	2 11/16	4 7/8	3 1/4-8x2 1/4	1 1/16	4 1/2	7 1/4	41.28	22.62	9,689	9,992	206.4	113.1	356
200	113	18 1/8	RD20018	7482	409.9	28 1/2	46 5/8	9 1/2	9 1/2-12	1 5/8	2 1/2	2 11/16	4 7/8	3 1/4-8x2 1/4	1 1/16	4 1/2	7 1/4	41.28	22.62	9,689	9,992	206.4	113.1	442
300	147	6	RD3006	3610	177.0	17 9/32	29 9/32	10 3/4	10 1/2-12	2 3/8	3 3/8	3 3/8	6 1/4	2 1/2-12x3 1/4	1 1/8	6 7/8	8 3/4	60.13	29.45	9,978	10,000	300.7	147.3	380
300	147	13	RD30013	7820	383.0	24 13/16	37 13/16	10 3/4	10 1/2-12	2 3/8	3 3/8	3 3/8	6 1/4	2 1/2-12x3 1/4	1 1/8	6 7/8	8 3/4	60.13	29.45	9,978	10,000	300.7	147.3	654
400	186	6	RD4006	4710	247.0	19 9/32	29 9/32	12 5/8	12 1/2-8	2 3/4	3 27/32	3 27/32	7 1/4	3-12x3 3/4	1 1/4	7 13/16	10	78.54	37.26	10,185	10,000	392.7	186.3	585
400	186	13	RD40013	10210	536.0	26 9/32	39 9/32	12 5/8	12 1/2-8	2 3/4	3 27/32	3 27/32	7 1/4	3-12x3 3/4	1 1/4	7 13/16	10	78.54	37.26	10,185	10,000	392.7	186.3	770
500	245	6	RD5006	5960	295.0	20 9/16	26 9/16	14 3/4	14 3/4-8	3 1/8	4 5/32	4 5/32	8	3 1/4-12x4 1/4	1 1/2	8 1/2	11 1/4	99.40	49.14	10,060	10,000	497.0	245.6	819
500	245	13	RD50013	12920	639.0	27 9/16	40 9/16	14 3/4	14 3/4-8	3 1/8	4 5/32	4 5/32	8	3 1/4-12x4 1/4	1 1/2	8 1/2	11 1/4	99.40	49.14	10,060	10,000	497.0	245.6	1092